

FB-20

CNC SPRING FORMER

3-Axis equipped for Cam, Feed, Quill Rotation as standard spec.

8 Slides can be controlled by 1 Axis

Cam Axis runs in sync with Feed Axis for hi-speed production

MNO (Mec New Operation system) gives user-friendliness, measurement control and multiple production controls



ORII & MEC CORPORATION

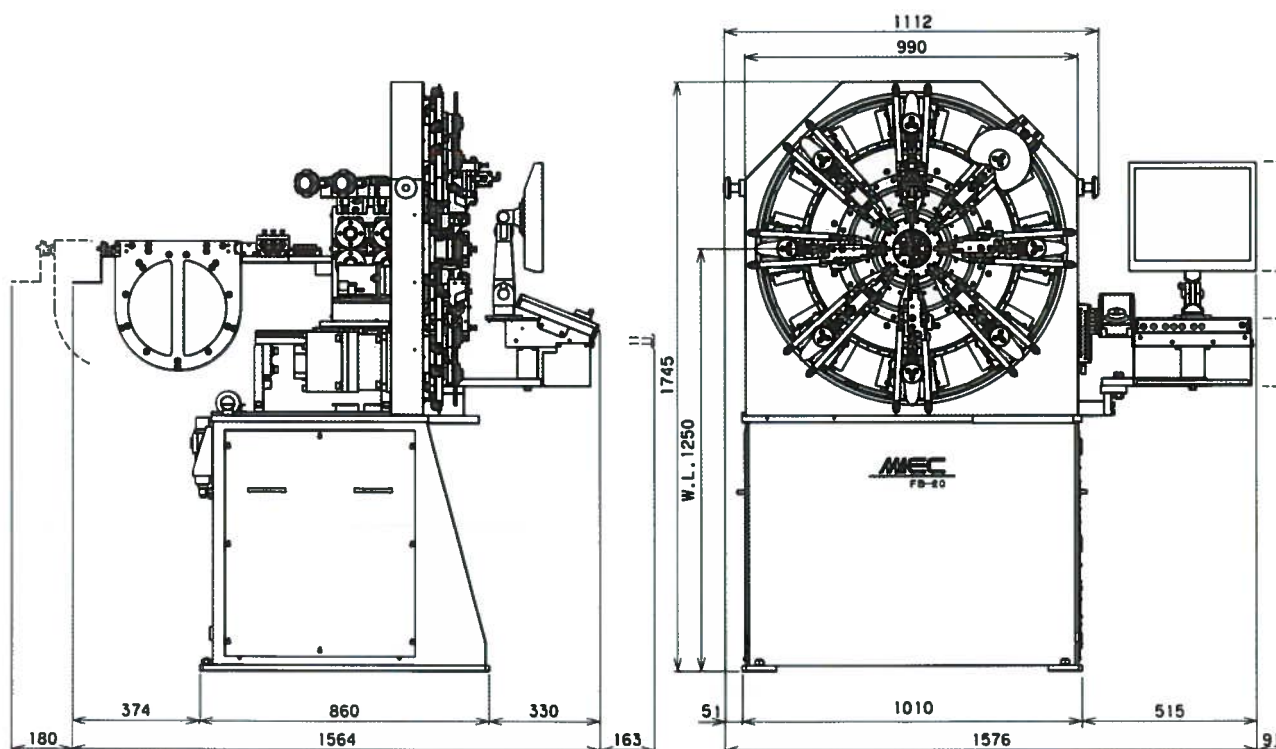
1-17-24 Kamiaoki-Nishi Kawaguchi-shi Saitama 333-0845 Japan
TEL: (81) 48-256-3511 FAX: (81) 48-256-3595
<http://www.oriimec.co.jp/> e-mail: info-spring@oriimec.co.jp

Features

- 8 Slides are equipped as standard spec. Those can be arranged any point on the circumference. Minimum angle between two slides placed side-by-side is 30 degree.
- It gives room for spring parts which require certain radius on work process with 90mm of Quill length and 65mm of slide stroke.
- Square shaped quill (standard) and Cylinder shaped quill (option) are available for FB20. Changing only quill holder gives easy installation.
- The adjustable feed unit can be placed at any position, and there is no need to adjust slide after quill is re-ground. Set-up can be made by moving the adjustable feed unit back-and-forth. And also, it can be moved backward up to 160mm, it is easy to change toolings.
- New control system, "MNO", which is user-friendly and well-developed functions, maximizes potential.
- Program screen displays all axes stationary and columns that can be scrolled from side to side. Program flow and each axis status, INPUT/OUTPUT, JUMP item and so on can be grasped at one view.
- Even though long program, it is easy to shorten setup time, make new program, edit and so on with versatile functions; Jump, 1 cycle/Pause, switching operation mode during operation, auto cutting and so on.
- Independent screens for Gaging, Coil end alignment, Input/Output and such programs gives easy setups.

Machine specifications

Wire Dia.	φ0.5~2.0mm	Control device	Max. 16-axis to be controlled by OS Windows XP	
Index	D/d = 4 or more	Display	17" TFT color LC display	
Max. stroke	Radius 90mm (when square quill is used)	External momory	USB thumb drive	
Slides	Body slide	1 pce	Service Temp.	0 ~ 40°C
	Bending slide	3 pcs	Power source	AC200V, 3-phase, 20A
	Cut slide	4 pcs	Service air pressure	Max. 0.5 Mpa
	E slide unit	option	Net weight	1,200kg
	Servo slide unit	option		
	R servo unit	option		



Specifications are subject to change without notice.