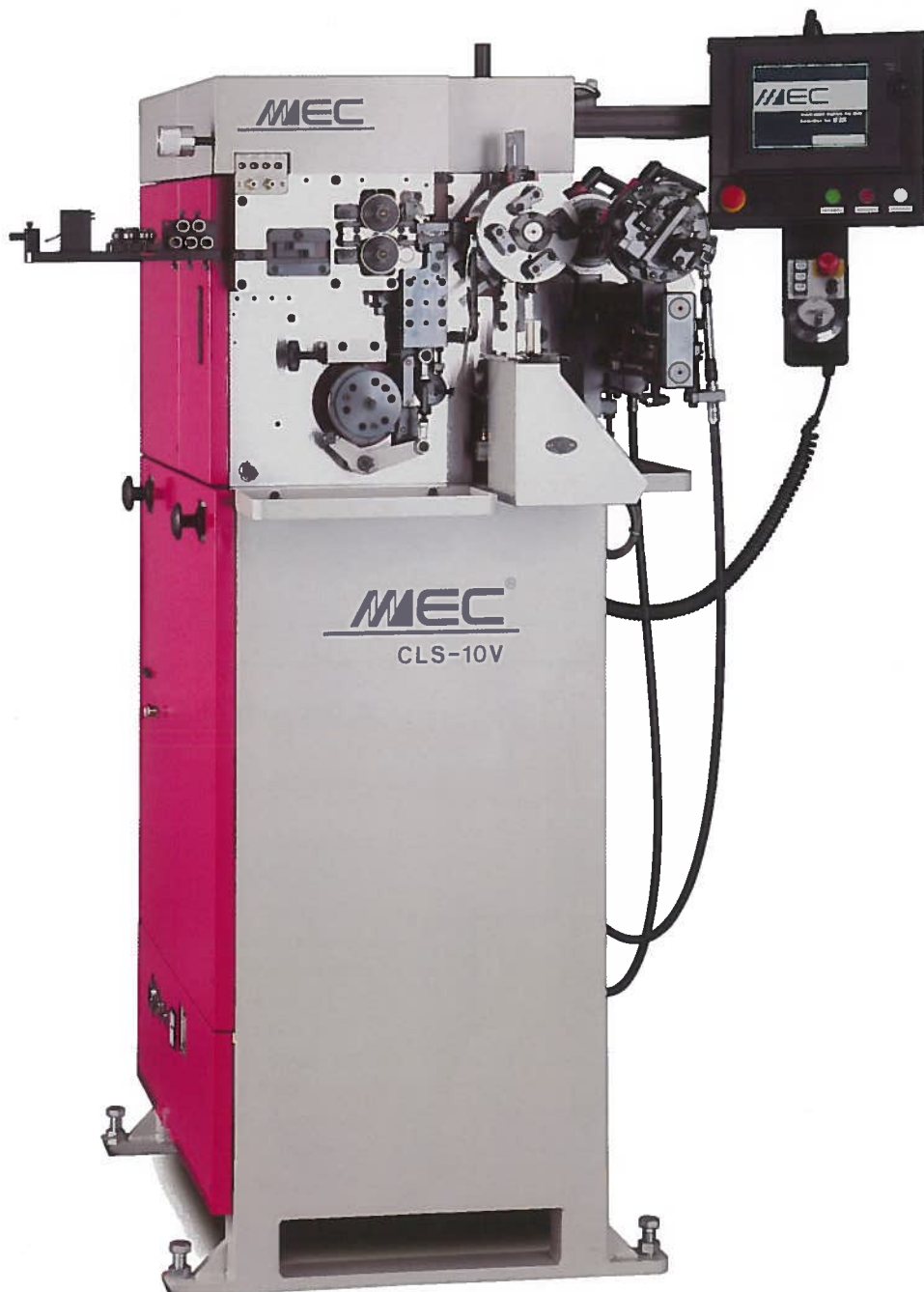


CLS-10V

EXTENSION SPRING MACHINE

HIGH SPEED MACHINE SPECIALLY FOR
FORMING EXTENSION SPRING WITH DOUBLE LOOPS

LOOPING & INSPECTION INDIVIDUALLY PERFORMED AT CERTAIN STAGE AFTER COILING PROCESS



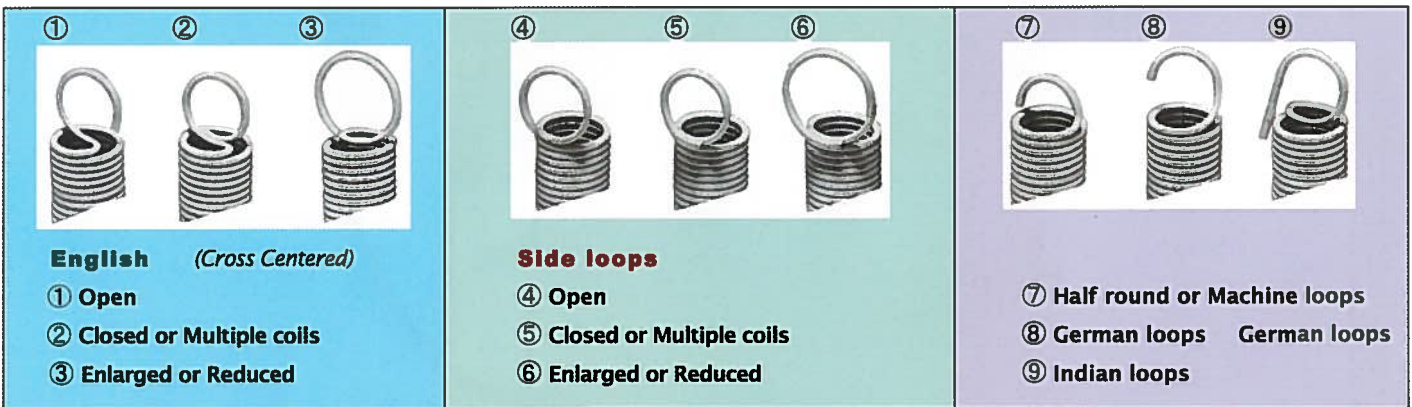
ORII & MEC CORPORATION

1-17-24 Kamiaoki-Nishi Kawaguchi-shi Saitama 333-0845 Japan
TEL: (81) 48-256-3511 FAX: (81) 48-256-3595
<http://www.oriimec.co.jp/> e-mail: info-spring@oriimec.co.jp

FEATURES

- 2-Axis servomotor equipped as standard spec**
 In addition to Feed Axis and Cam Axis, if a servomotor for Initial tension is used, minute adjustment for load can be controlled digitally.
- Production speed 120ppm at maximum**
 120 pcs of extension spring part with double loops of same diameter can be produced per minute.
- 1 Cycle mode for checking is now available**
 Cam axis can be controlled to turn slowly and also alternate rotation direction with the handy pulse dial unit.
 Fine adjustment on toolings can be controlled easily.
- Color Control Panel in touch operation**
 Screen change, Feed Length, Production Management, Parameter set-up and so on can be controlled by touch panel operation.
- Movable toolings applied for CLS10V**
 Short body with U Hook can be formed with both movable base tool and movable squeeze tool.
- Cut Clamp & Base Adjuster are available optionally**
 Spring part of small D/d index and Varied diameter spring part can be formed.

FORMED LOOPS

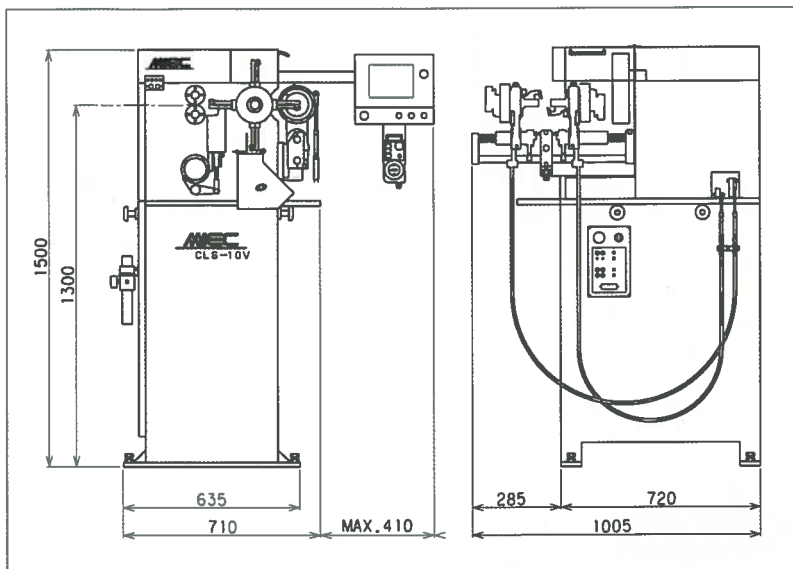


STANDARD ACCESSORIES

- ↘ Toolings for 1 wire diameter 1 set
- ↘ Cams 1 set
- ↘ End Alignment Sensor 1 unit
- ↘ Solenoid Valves 4 pcs
- ↘ Handy Pulse Dial Unit 1 unit
- ↘ Tool Box 1 set

OPTIONAL ACCESSORIES

- ↘ Tooling Unit V
- ↘ Initial Tension Servo Unit
- ↘ Cut Clamp
- ↘ Clamp Base Adjuster
- ↘ Toolings/Dumper unit suitable for long coil of 100~140mm



MACHINE SPECIFICATIONS

Wire Diameter	φ 0.12~1.0mm (.0047 - .0394") (See Note)
Outside Coil Diameter	φ 1~12mm (.0394 - .4724")
Spring Length	3.0~100mm (.0984 - 3.937")
Direction of Helix	Clockwise
Maximum Feed Length	9999mm (393.66")
Production Speed	120ppm at max.
Feed Axis Motor	600W AC Servo Motor
Cam Axis Motor	750W AC Servo Motor
Power Supply	AC200V, 20A, 3phase
Solenoid Valves	4 pcs
Air Requirements	0.5Mpa (5.1kgf/cm ²)
Weight	440kg (970lbs)

[Note] For wire diameter from 0.9~1.0mm, D/d must be greater than 6.