

VM-40

CNC MULTI-AXIS SPRING FORMER
w/wire revolving mechanism

Hi-speed Forming machine w/wire revolving mechanism

Available for up to diameter 4mm

Fluid & Vibration-free operation with Low inertia feer unit

Fine adjustment can be made with only program after tooled-up

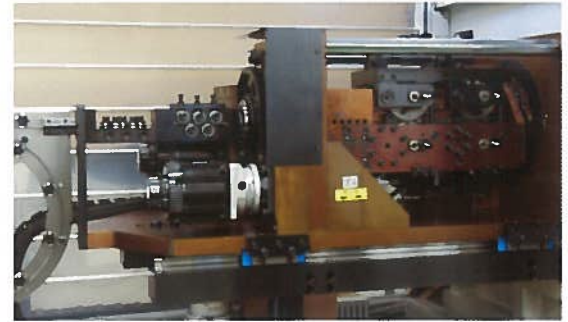


ORII & MEC CORPORATION

1-17-24 Kamiaoki-Nishi Kawaguchi-shi Saitama 333-0845 Japan
TEL: (81) 48-256-3511 FAX: (81) 48-256-3595
<http://www.oriimec.co.jp/> e-mail: info-spring@oriimec.co.jp

Features

- Feed unit having revolution mechanism newly developed does not need offset. Center of gravity is at very center of revolution, i.e. only a little bit of moment of inertia results in hi-speed and smooth wire revolution, and also no vibration even though ultimate hi-speed.
- Integrated feed unit including quill moves 60mm back-and-forth, and it is easy to make adjustment of coil diameter, twirl, form parts having long tail and so on.
- Main tooling table is divided into 2 parts up and down, i.e. slides arranged on each table move +/-53mm from side to side. Adjustment for initial tension, making pitch, alignment of grooves on toolings and such can be made with program.
- Quill has 140mm in depth and Slide travels 160mm that give enough room for twirling of products.
- 4 toolings at max can be mounted on the twin slide that is driven by only one motor.
- 2 R servos, one having inner/outer double-revolution, and another having only outer end single-revolution, are equipped as standard spec. Furthermore, WR servo can be moved forward as far as 100mm at max.
- Program display controlled by "MNO" is easy-to-read, i.e. program flow, each axis operation status, input/output, jump and so on can be grasped by scrolling.
- Easy to make long program and also shorten setup time with multifunction.
- Gauging, Coil end control, Input/Output and such program screen comes on independently.



Feed unit revolving portion



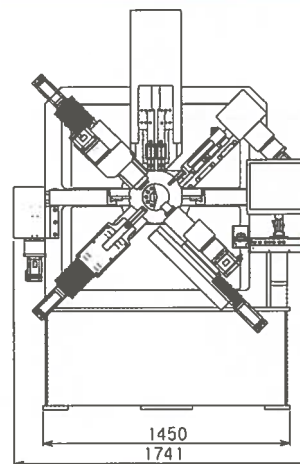
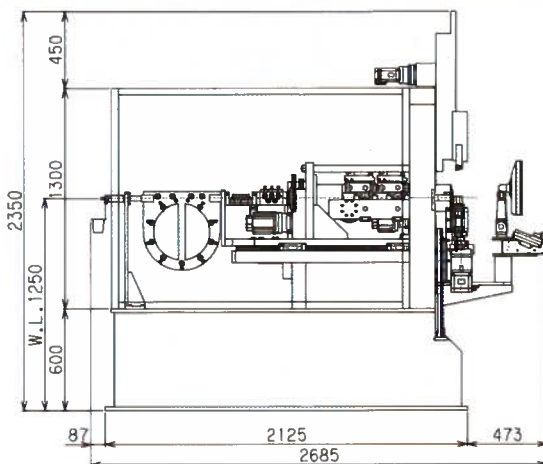
Upper/Lower tables travel 40mm from side to side
Quill travels 60mm back-and-forth

Motor Sensor System (Standard spec.)

Positioning function is used by applying contact probe to drive servomotor. It measures free length, outside diameter, leg portion angle in 1/1000mm resolution, and performs corrective control. It functions as well as capacitance sensor or contact type sensor.

Machine Specifications

Wire Dia.	φ 1.6~4.0mm		Control Device	Max. 16-Axis to be controlled by OS Windows XP
Index	D/d 4 or more		Display	
Twirl range	Radius 140 mm		External memory	USB thumb drive
Slides	Twin Slide	1 pce	Service Temp.	0 ~ 40 °C
	Tool Slide	1 pce	Power source	AC 200V, 3-phase, 50A
	DR Servo Slide	1 pce	Service Air pressure	Max. 0.5MPa
	SR Servo Slide	1 pce	Net weight	4200 kg
	Crank Slide	1pce		
	Cut Slide	2 pcs		



Specifications are subject to change without notice